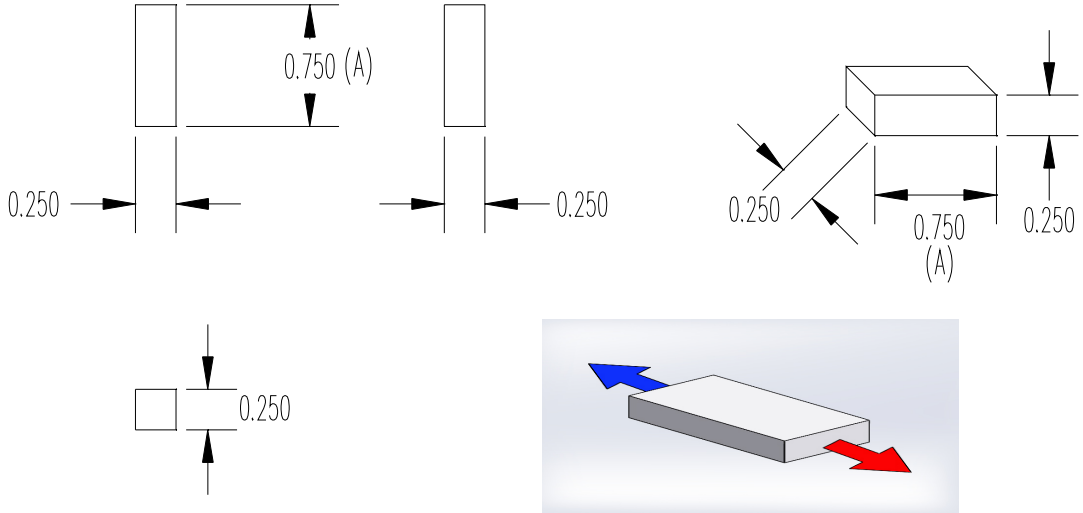


REVISIONS			
LTR	DESCRIPTION	DATE	APPROVED
—	INITIAL RELEASE		H D



UNLESS OTHERWISE SPECIFIED DIMENSIONS ARE IN INCHES	
TOLERANCES:	
FRACTONS:	$\pm 1/64$
DECIMALS:	± 0.015
ANGLES:	$\pm 1^\circ$
MATERIAL:	NdFeB
FINISH:	NiCuNi

RADIAL MAGNETS INC.				
108B NW 20th St. BOCA RATON, FL 33431 (561)392-2103				
SHAPE	STRENGTH	PLATING	SIZE AND DIRECTION OF MAGNETIZATION (A)	
BLOCK	N35	NiCuNi	3/4" x 1/4" x 1/4"	
SIZE	PART #	DRAWING #	REVISION	
A	8024	RM8024	-	
SCALE 1 : 1	DRAWN: CG	CHECKED: HD	APPROVED: HD	PAGE 1 OF 1